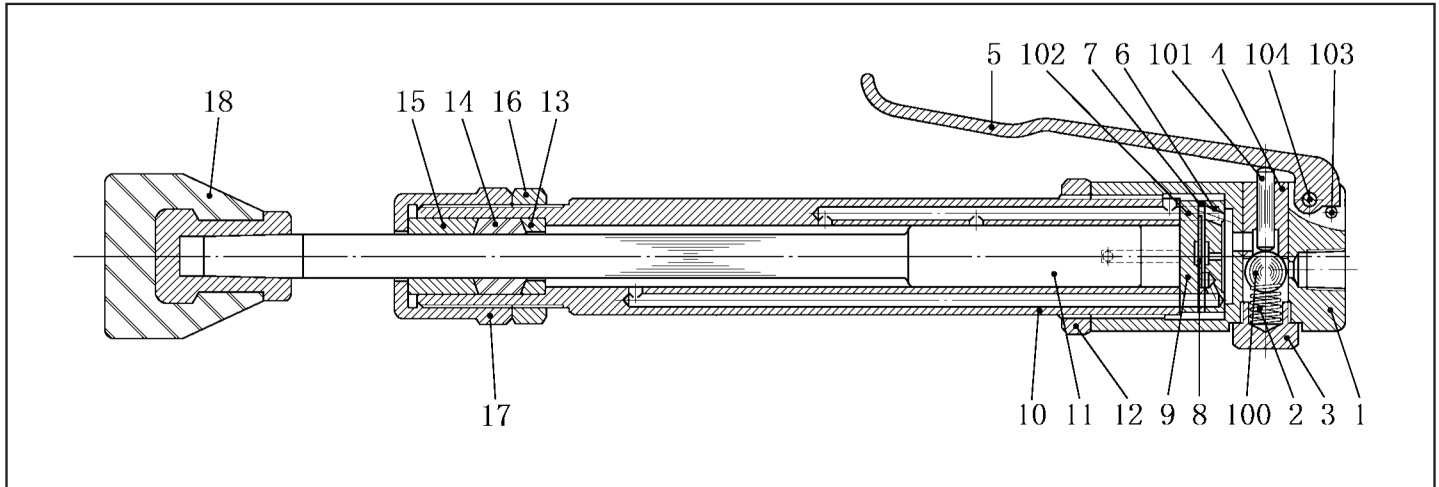




MICHIGAN PNEUMATIC TOOL, INC.

B-OA Sand Rammer



Index	Part No.	Description	Qty.
1	F41060H550	Handle	1
2	F41010B210	Throttle Spring	1
3	F41010H360	Throttle Plug	1
4	F41010H270	Throttle Bush	1
5	F42010H880	Lever	1
6	F41010V250	Valve Seat	1
7	F41010V430	Valve Washer	1
8	F41010V400	Valve	1
9	F41010V440	Valve Seat	1
10	F41010C250	Cylinder	1
11	F41010C550	Piston	1
12	F41010H580	Lock Nut	1

Index	Part No.	Description	Qty.
13	F41010C080	Gland Washer	1
14	F41010P140	Gland Packing	5
15	F41010C070	Gland Bush	1
16	F41010C090	Grand Nut	1
17	F41010C060	Gland Cap	1
18	F41010D700	Rubber Butt	1
100	2800210400	Rubber Ball	1
101	3990106009	Pin	1
102	3010040230	Pin	2
103	3010050290	Pin	1
104	3030060280	Spring Pin	1



MICHIGAN PNEUMATIC TOOL, INC.

Rubber Rammer Butts

Made of the finest neoprene to ensure uniformity of bonding. Highly resistant to oil and wear. Please specify tool model number and size of butt when ordering. Solid aluminum, steel and rectangular butts available.



201
1-3/4" Dia.

Part No.	Taper
201-M	M



202
2-3/8" Dia.

Part No.	Taper
202-M	M



203
3-1/4" Dia.

Part No.	Taper
203-M	M



204
4" Dia.

Part No.	Taper
204-M	M



205
5" Dia.

Part No.	Taper
205-M	M

M Taper
NPK B-0A JET 0, 0T, 1, 1T

Aluminum with Rubber Tip Butts



3525
3/4" x 2-3/8"
Aluminum with
Rubber Tip

Part No.	Taper
3525-M	M



4030
1" x 2-7/8"
Aluminum with
Rubber Tip

Part No.	Taper
4030-M	M

NPK Rubber Butts



F42010D700
2-1/2" Dia.
ML Taper

NPK Steel Butts



RG-03420
2-1/2" Dia.
M Taper