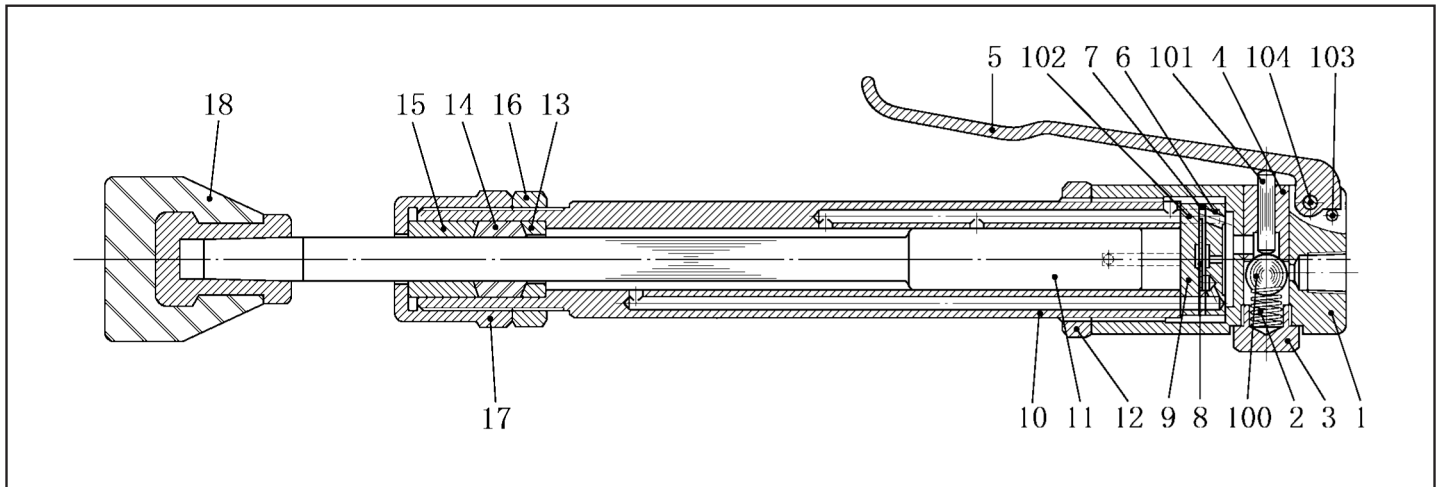




MICHIGAN PNEUMATIC TOOL, INC.
MP-B-00A Sand Rammer



Index	Part No.	Description	Qty.
1	F40010H550	Handle	1
2	F41010B210	Throttle Spring	1
3	F41010H360	Throttle Plug	1
4	F40010H270	Throttle Bush	1
5	F42010H880	Lever	1
6	F40010V230	Valve Seat	1
7	F40010V430	Valve Washer	1
8	F40010V400	Valve	1
9	F40010V440	Valve Seat	1
10	F40010C250	Cylinder	1
11	F40010C550	Piston	1
12	F40010H580	Lock Nut	1

Index	Part No.	Description	Qty.
13	F40010C080	Gland Washer	1
14	F40010P140	Gland Packing	5
15	F40010C070	Gland Bush	1
16	F40010C090	Grand Nut	1
17	F40010C060	Gland Cap	1
18	F40010D700	Rubber Butt	1
100	2800210400	Rubber Ball	1
101	3990106008	Pin	1
102	3010040230	Pin	2
103	3010050290	Pin	1
104	3030060280	Spring Pin	1



MICHIGAN PNEUMATIC TOOL, INC.

Rubber Rammer Butts

Made of the finest neoprene to ensure uniformity of bonding. Highly resistant to oil and wear. Please specify tool model number and size of butt when ordering. Solid aluminum, steel and rectangular butts available.



201
1-3/4" Dia.

Part No.	Taper
201-S	S



202
2-3/8" Dia.

Part No.	Taper
202-S	S



203
3-1/4" Dia.

Part No.	Taper
203-S	S

S Taper
MP-00G
NPK B-00A
JET 00, 00T

Aluminum with Rubber Tip Butts



3525
3/4" x 2-3/8"
Aluminum with
Rubber Tip

Part No.	Taper
3525-S	S

NPK Rubber Butts



F40010D700
1-9/16" Dia.
S Taper



F53000D700-278
2-7/8" Dia.
S Taper

NPK Steel Butts



RG-01420-1.5
1-1/2" Dia.
S Taper



RG-01420
2-1/2" Dia.
S Taper